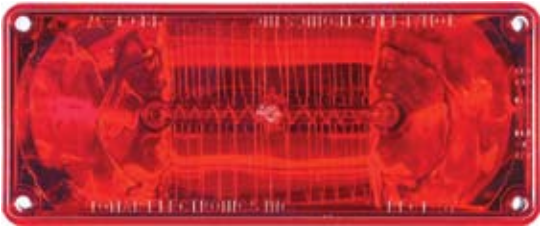


## RECT-37 Series

### 3" x 7" Rectangular Lamps



The RECT-37 series sealed beam lamps are 100% watertight and features a chrome coated reflector. It is molded from Lexan® and has been designed to fit all popular emergency vehicles. The RECT-37 is furnished with a drill template, gasket, and mounting hardware; and can be used with all TOMAR power supplies or halogen controllers.

- 100% watertight
- extremely durable chrome reflector
- fits all popular emergency vehicles
- available in many color configurations



**RECT-37S**  
Single Strobe

The RECT-37S features a single linear strobe lamp. This configuration has the highest intensity of all 3" x 7" lamp models.



**RECT-37SS**  
Dual Strobe

The RECT-37SS uses two strobe lamps and can be used with any TOMAR strobe power supply in simultaneous or alternating flash operation.



**RECT-37HS**  
Halogen/Strobe

The RECT-37HS uses a replaceable #890 automotive 12V halogen lamp rated at 27 watts and a non-replaceable strobe lamp.



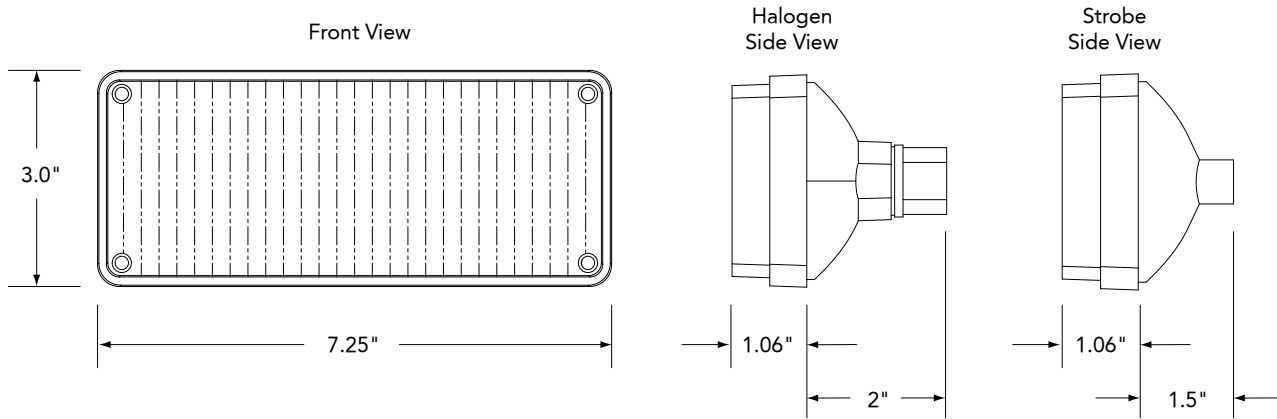
**RECT-37HNB**  
Halogen Narrow Beam

The RECT-37HNB uses two lamps rated at 27 watts each and can be used as a steady burn or flashing lamp. 54 watt power rating.

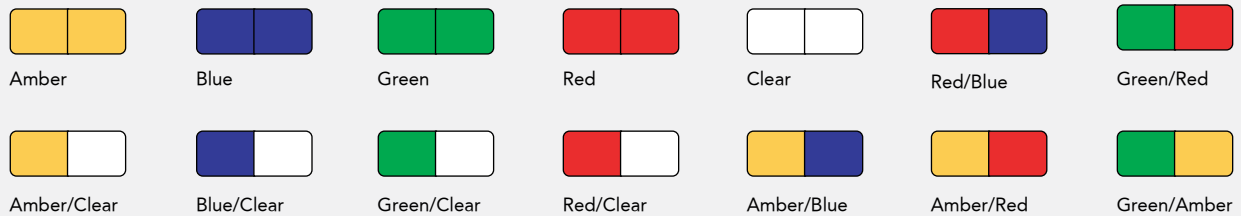


**RECT-37HNB**  
Halogen Narrow Beam

The RECT-37HNB uses two lamps rated at 27 watts each and can be used as a steady burn or flashing lamp. 54 watt power rating.



### Available Lens Colors:



### Ordering Information

Please specify lens colors and model number when ordering.

Model No.	Description
RECT-37S	Strobe, 3" x 7" rectangular lamp
RECT-37SS	Dual Strobe, 3" x 7" rectangular lamp
RECT-37HS	Halogen/Strobe combination, 3" x 7" rectangular lamp
RECT-37HWB	Halogen, wide Beam, 3" x 7" rectangular lamp
RECT-37HNB	Halogen, narrow Beam, 3" x 7" rectangular lamp

### Replacement Parts

Model No.	Description
930DM-FLASHER	Flashes 1 to 4 890's, 12VDC, solid state
890	27 watt, 12VDC halogen lamp
890-24	27 watt, 24VDC halogen lamp
890HP	37 watt, 12VDC halogen lamp
890-CONN	Watertight connector for lamp
889	27 watt, 12VDC halogen lamp with 90° angled socket base

See page C32-C33 for a complete list of available mounting accessories.