

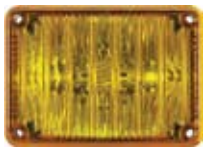
## RECT-34 Series

### 3" x 4" Rectangular Lamps

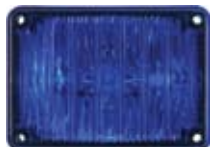


The RECT-34 series extended lens lightheads are molded from Lexan® and have been designed to fit all popular emergency vehicles. The RECT-34H uses a 27 watt halogen lamp. The RECT-34S uses a strobe flashtube that can be used with any TOMAR strobe power supply. The RECT-34 series features an extended lens design with SIDEOPTICS™ for tri-directional warning light effectivity. The RECT-34 is furnished with a drill template, gasket, and mounting hardware.

- 100% watertight
- extremely durable chrome reflector
- fits all popular emergency vehicles
- available in six lens colors



Amber



Blue



Clear



Green

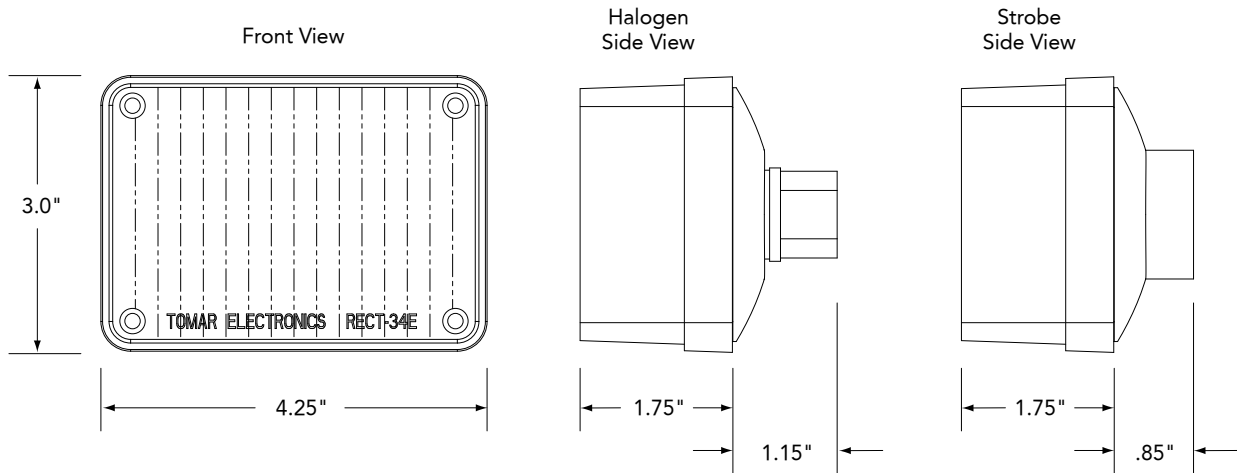


Red

### Ordering Information

Please specify lens colors and model number when ordering. Available colors are Amber, Blue, Clear, Green, Purple and Red.

Model No.	Description
RECT-34S	Strobe, 3" x 4" rectangular lamp
RECT-34H	Halogen, 3" x 4" rectangular lamp



## Replacement Parts

Model No.	Description
930DM-FLASHER	Flashes one to four 890's, 12VDC, solid state
890	27 watt, 12VDC halogen lamp
890-24	27 watt, 24VDC halogen lamp
890HP	37 watt, 12VDC halogen lamp
890-CONN	Watertight connector for lamp

See page C32-C33 for a complete list of available mounting accessories.