



## MICROSTROBE® Low Profile - Single Flash Strobe

- built-in RFI filters
- lens has hermetic o-ring seal
- solid state power supply
- 10,000 hour strobe lamp
- two year warranty on power supply
- one year warranty on lamp
- available in six lens colors
- UL listed
- NEMA 4X

The MICROSTROBE® family is a low profile, single flash, low cost strobe light which features a plug-in replaceable lamp and Lexan® lens. The high efficiency, solid state, power supply is fully potted in polyurethane for the ultimate in protection from moisture, vibration and exposure to high voltage. All units are polarity protected and have built-in filters to protect against radio interference and spike voltages.

Lens Colors

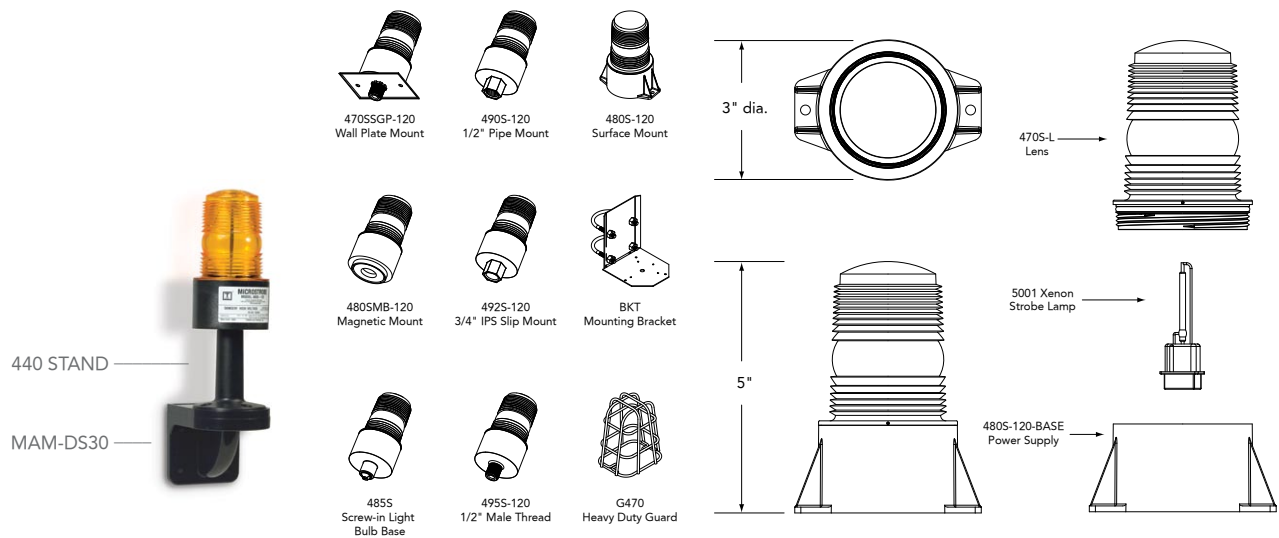


### Ordering Information

Please specify lens colors and model number when ordering. Available colors are Amber, Blue, Clear, Green, Purple, and Red.

Model No.	Description	Voltage/Frequency
470SSGP-120	AC strobe, wall plate mount	120VAC, 50/60Hz
480S-120	AC strobe, surface mount, AC cord set	120VAC, 50/60Hz
480SMB-120	AC strobe, magnetic mount	120VAC, 50/60Hz
485S-120	AC strobe, screw-in light bulb base	120VAC, 50/60Hz
485S-240	AC strobe, screw-in light bulb base	240VAC, 50/60Hz
490S-120	AC strobe, 1/2" female pipe mount	120VAC, 50/60Hz
490S-240	AC strobe, 1/2" female pipe mount	240VAC, 50/60Hz
492S-120	AC strobe, 3/4" IPS slip mount	120VAC, 50/60Hz
495S-120	AC strobe, 1/2" male thread mount	120VAC, 50/60Hz
495S-240	AC strobe, 1/2" male thread mount	240VAC, 50/60Hz

# MICROSTROBE



## Specifications

Item	Description
Flash Rate	60 to 80 flashes per minute
Light Output	50 effective candlepower
Voltage and Amperage	120VAC and 240VAC draw 0.07A average
Power Supply Output 2.7 Watts	1.9 joules per flash
Size and Weight	5" tall x 3" dia. x 0.5 lbs ( 127mm x 76mm x 0.23kg )
Encapsulation	Fully potted in urethane material with no exposure to High Voltage possible

## Available Options

NOTE: All "/" options are factory installed only.

Model No.	Description
G470	Heavy duty guard
LBO-MINI	Lens blackout segment 180°
MICROSHIELD	Vinyl, 180° lens blackout
/TRIAC-SW	Solid state relay option

## Mounting Options

Model No.	Description
BKT	Mounting bracket
440 STAND	Plastic Stand (Thread mount MicroLert models only)
MAM-DS30	Wall mount bracket

## Replacement Parts

Model No.	Description
5001	Xenon strobe lamp
470S-L	Colored lens ( please specify color )
480S-120-PSA	120VAC power supply, surface mount
480SMB-120-PSA	120VAC power supply, magnetic mount
485S-120-PSA	120VAC power supply, screw-in light bulb base
485S-240-PSA	240VAC power supply, screw-in light bulb base
490S-120-PSA	120VAC power supply, 1/2" female pipe mount
490S-240-PSA	240VAC power supply, 1/2" female pipe mount
492S-120-PSA	120VAC power supply, 3/4" IPS slip mount
495S-120-PSA	120VAC power supply, 1/2" male thread mount
495S-240-PSA	240VAC power supply, 1/2" male thread mount

## Architect and Engineer Specifications

The strobe light shall be Tomar model number series 470, 480, 485, 490, 492, 495 or approved equal. The light source shall be a plug-in field replaceable single-flash xenon strobe tube. The strobe light must have built-in RFI filters to protect against radio interference and spike voltages. It shall be polarity protected, and have a power supply fully potted in polyurethane. Voltage ranges shall be 12-80VDC or 16-24VAC, 120 VAC, and 240VAC. The strobe light shall be UL listed and of NEMA 4X type weatherproof design with screw-on Lexan® lens.