

PAR-36 SERIES

4" Round Lightheads

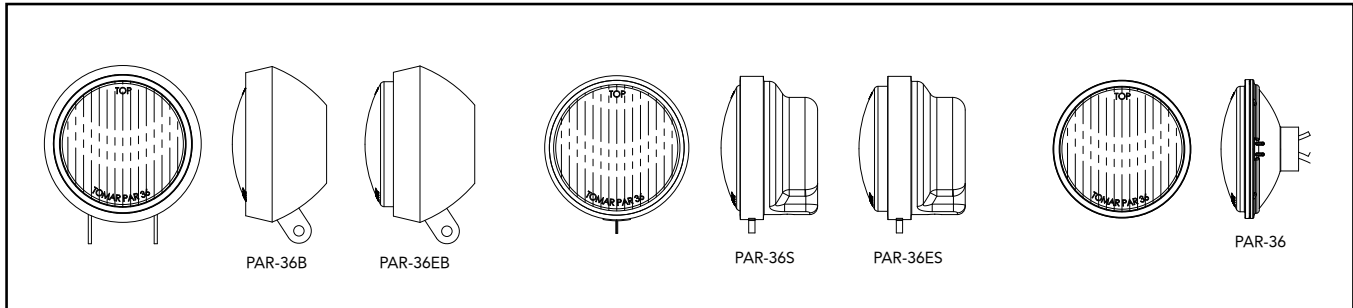
The PAR-36, and PAR-36E remote strobe heads are designed to be used with TOMAR's strobe or NEOBE® power supplies and feature a sealed beam strobe lamp with a Lexan® lens. The PAR-36E EXTENDED LENS strobeheads feature TOMAR's SIDE OPTICS™ that create a wide beam spread pattern of light, visible from the front and both sides. The PAR-36, and PAR-36E are available with an optional black rubber or stainless steel shells. The halogen versions feature a removable 27 Watt #890 halogen lamp and optional waterproof connectors.



Ordering Information

Please specify lens colors when ordering. PAR-36, PAR-46, PAR-56 colors are Amber, Blue, Clear, Green and Red. PAR-36E colors are Amber, Blue and Red.

Model No.	Description
PAR-36	4" strobe lamp
PAR-36WP	4" strobe lamp, waterproof
PAR-36S	4" sealed strobe lamp, stainless steel shell, 15' cable
PAR-36B	4" sealed strobe lamp, rubber shell, 15' cable
PAR-36H	4" halogen lamp
PAR-36E	4" strobe lamp with SIDEOPTICS
PAR-36EWP	4" strobe lamp with SIDEOPTICS, waterproof
PAR-36EH	4" halogen lamp with SIDEOPTICS
PAR-36EB	4" extended lens strobe lamp, rubber shell, 15' cable
PAR-36ES	4" extended lens strobe lamp, stainless steel shell, 15' cable



Specifications

Item	Description
Mounting	Meets the mounting size requirements of SAE J760a
Lens Size	4" diameter (model PAR-36)
890 Halogen Lamp Specifications	Volts: 12.8 Amps: $2.1 \pm 10\%$ Life: @ 12.8V : 300 hours Candlepower: 43MSCP

Available Options

Model No.	Description
890-CONN	Watertight connector for halogen lamp (model PAR-36)
890	27 watt, 12VDC halogen lamp (model PAR-36)
930DM-FLASHER	Flashes 1 to 4 890's, 12VDC, solid state (model PAR-36)
PAR-36-SS	PAR-36 stainless steel shell (model PAR-36)
UBKT	Universal stainless steel bracket for PAR-36S or ES lightheads (model PAR-36)
PAR-36B-S	PAR-36 black rubber shell (model PAR-36)
15C	15' cable (model PAR-36)

NOTE: All lightheads are available with waterproof (WP) connectors.