



- 5-year warranty
- High power LED
- NEMA 4X
- UL Listed
- Wide AC and DC input voltage
- Lexan lens
- Steady-on or Flashing
- Surface, Pipe, or Thread mounts
- Sealed construction - NEMA 6P capable
- 5 LED colors



microLERT

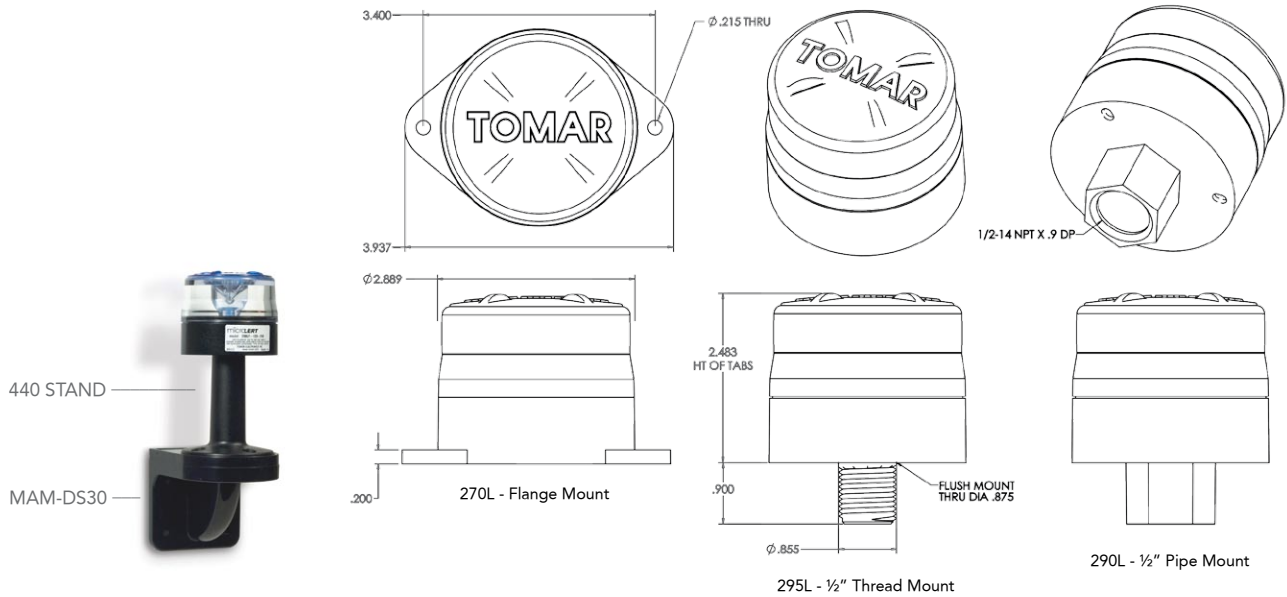
Mini LED Warning Light

Tomar introduces a totally new LED warning light. The MicroLert offers unique features not before seen in industrial signaling devices. It is the first such light designed from the ground up to take full advantage of LED lighting technology.

The MicroLert features an integral inverted cone design to provide full 360 degree coverage. The MicroLert lens is engineered for maximum light output and color clarity, and allows more of the LED light to be projected out than do conventional Fresnel lenses.

The tough Lexan lens is spun welded to the base to completely seal out moisture. The MicroLert is UL listed and manufactured to NEMA 4X specifications. It is available in five LED colors (amber, blue, green, red, and white); and in steady-burn or flashing models.

The MicroLert will operate over a wide AC and DC input voltage ranges. The DC version is designed to operate from 10-100 VDC and 16-36 VAC; the AC version from 85-265 VAC. The MicroLert is guaranteed against factory defects for a full 5 years.



Microlert Models

Item	Description	Voltage
270LF-12-80	Flashing Flange Mount	12-80 VDC
270LS-12-80	Steady-On Flange Mount	12-80 VDC
290LF-12-80	Flashing 1/2" Pipe Mount	12-80 VDC
290LF-120-240	Flashing 1/2" Pipe Mount	120-240 VAC
290LS-12-80	Steady-On 1/2" Pipe Mount	12-80 VDC
290LS-120-240	Steady-On 1/2" Pipe Mount	120-240 VAC
295LF-12-80	Flashing 1/2" Thread Mount	12-80 VDC
295LF-120-240	Flashing 1/2" Thread Mount	120-240 VAC
295LS-12-80	Steady-On 1/2" Thread Mount	12-80 VDC
295LS-120-240	Steady-On 1/2" Thread Mount	120-240 VAC

Accessories

Item	Description
440 STAND	Plastic Stand (Thread mount Microlert models only)
MAM-DS30	Wall mount bracket

Specifications

Item	Description
Lamp Type	LED
Flash Rate	75 NEOBE® flashes per minute - each flash containing 7 rapid bursts of light (approximately 560 ms "on-time" and 240 ms "off-time")
Voltage and Amperage	200 mA @ 24VDC Flashing; 420 mA Steady-burn 040 mA @ 120 VAC Flashing; 085 mA Steady-burn 020 mA @ 240 VAC Flashing; 045 mA Steady-burn
Operating Temperature	-40 to 85 C.