



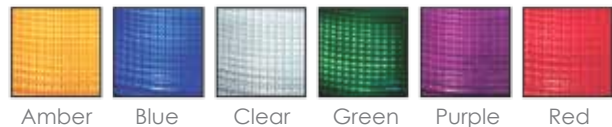
804 MAXI I™ STROBE

Medium Profile - Single Flash
Warning Light

- universal mounting
- built-in RFI filters
- solid state power supply
- 10,000 hour strobe lamp
- five year warranty on power supply
- one year warranty on lamp
- available in six lens colors
- UL listed (AC models only)
- NEMA 4X
- 480 ECP

The model 804 family is a medium profile, single flash strobe light featuring universal mounting, full size 360° Lexan® lens, high efficiency regulated solid state power supply, and heavy duty xenon strobe lamp. All units are polarity protected and have built-in filters to protect against radio interference and spike voltages. The model 804 features a fully potted Lexan®, multi-purpose mounting base which is vibration and water resistant. The 804 also features a field replaceable plug-in strobe lamp and state of the art energy storage capacitor for increased intensity.

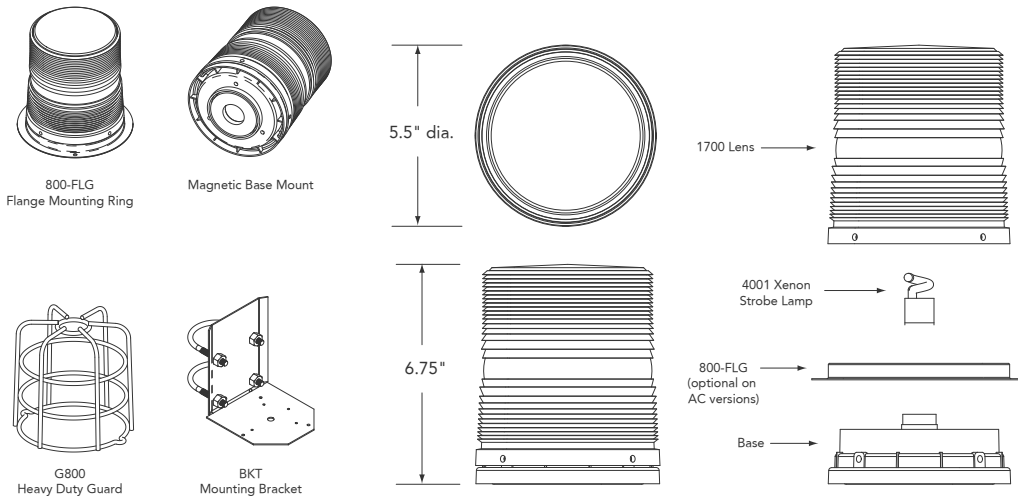
Lens Colors



Ordering Information

Please specify lens colors and model number when ordering. Available colors are Amber, Blue, Clear, Green, Purple and Red.

Model No.	Description	Voltage, Frequency
804-110	AC strobe with 10" leads, UL listed	120VAC, 50/60Hz
804LC-110	AC strobe with AC cord set, UL listed	120VAC, 50/60Hz
804-240	AC strobe with 10" leads, UL listed	240VAC, 50/60Hz
804-1274	DC strobe with 10" leads	12 - 74VDC
804MB-1274	DC strobe, magnetic mount and 10' coil cord	12 - 74VDC
804MBSC-1274	DC strobe, magnetic mount and 10' straight cord	12 - 74VDC



Specifications

Item	Description
Flash Rate	80 to 95 flashes per minute
Light Output	480 effective candlepower
Voltage and Amperage	12-74VDC draws 1.25A @ 12V tapering to 0.2A average @ 74V 120VAC draws 0.3A average 240VAC draws 0.3A average
Power Supply Output 11 Watts	8 joules per flash
Operating Temperature	-40 C to 65 C
Size and Weight	6.75" tall x 5.5" dia. x 2.2 lbs (171mm x 140mm x 1.0kg)
Encapsulation	Fully potted in urethane material with no exposure to High Voltage possible

Available Options

NOTE: All "/" options are factory installed only.

Model No.	Description
BKT	Mounting bracket
/LBO-MAXI	Lens blackout segment 180°
800/1250-DC	Clear lens dust cover
G800	Heavy duty guard
TBO-MAXI	Top lens blackout
800-FLG	Chrome flange mounting ring (standard on DC versions, optional on AC versions)

Replacement Parts

Model No.	Description
4001	Xenon strobe lamp
1700	Color lens (please specify color)
801-110-BASE	120VAC power supply
801LC-BASE	120VAC power supply with AC cord set
801MBSC-BASE	120VAC power supply with magnetic mount and straight cord
801-240-BASE	240VAC power supply
801-1274-BASE	12-74VDC power supply
801MB-BASE	12-74VDC power supply with magnetic mount and coil cord

Architect and Engineer Specifications

The visual signaling beacon shall be Tomar model 804 or approved equal. The light source shall be a plug-in field replaceable single-flash xenon strobe lamp. The warning beacon shall have a Lexan® lens and universal mount base. The warning signal must have built-in RFI filters to protect against radio interference and spike voltages. It shall be polarity protected, and have a power supply fully potted in polyurethane. The beacon shall have an 11 watt power supply, and generate 8 joules per flash at 80 to 95 flashes per minute. Light intensity is to be 480 effective candlepower. Voltage ranges shall be 12-74VDC, 120 VAC, and 240VAC. Strobe light shall be designed to accept a dome guard and mounting bracket.