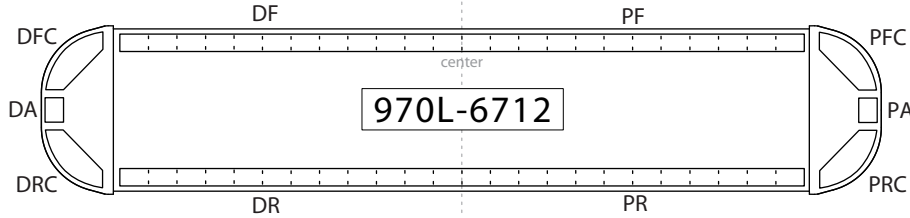


970L SCORPION

LIGHTBAR ORDERING WORKSHEET



The front of the 970L-6712 is limited to 10 lamp positions not including blanks. This means that for bar that is full with no blanks could accommodate 6 full lamps and 4 - 1/2 lamps. Blanks may be 1/2 or full size or any combination of both. LED warning lights are also available for 1/2 lamp positions. Full and 1/2 LED warning lamps are available in red, blue, amber and white LEDs and lens colors. All Dual Color lamps come with a clear lens.

FRONT LAMP OPTIONS

Full	Full Lamp Options Lamp = 6 LED, 3 LED, Dual Color, Preemption (center only) or Blank Color = Red, Blue, Amber or White - LED & Lens	1/2	1/2 Lamp Options Lamp = LED Takedown (white only), LED Warning Light or Blank Color = LED-Warning - Red, Blue, Amber or White - LED & Lens
-------------	--	------------	---

FRONT CONFIGURATIONS

970L-01	DF5	DF4	DF3	DF2	DF1	PF1	PF2	PF3	PF4	PF5	
Lamp	3 LED <input type="checkbox"/> 6 LED <input type="checkbox"/> Dual Color <input type="checkbox"/> (select 2 colors below) Blank <input type="checkbox"/>	3 LED <input type="checkbox"/> 6 LED <input type="checkbox"/> Dual Color <input type="checkbox"/> (select 2 colors below) Blank <input type="checkbox"/>	BLANK	3 LED <input type="checkbox"/> 6 LED <input type="checkbox"/> Dual Color <input type="checkbox"/> (select 2 colors below) Blank <input type="checkbox"/>	3 LED <input type="checkbox"/> 6 LED <input type="checkbox"/> Dual Color <input type="checkbox"/> (select 2 colors below) Blank <input type="checkbox"/>	BLANK	3 LED <input type="checkbox"/> 6 LED <input type="checkbox"/> Dual Color <input type="checkbox"/> (select 2 colors below) Blank <input type="checkbox"/>	3 LED <input type="checkbox"/> 6 LED <input type="checkbox"/> Dual Color <input type="checkbox"/> (select 2 colors below) Blank <input type="checkbox"/>	BLANK	3 LED <input type="checkbox"/> 6 LED <input type="checkbox"/> Dual Color <input type="checkbox"/> (select 2 colors below) Blank <input type="checkbox"/>	3 LED <input type="checkbox"/> 6 LED <input type="checkbox"/> Dual Color <input type="checkbox"/> (select 2 colors below) Blank <input type="checkbox"/>
Color	Red <input type="checkbox"/> Blue <input type="checkbox"/> Amber <input type="checkbox"/> White <input type="checkbox"/> Colored Lens <input type="checkbox"/>	Red <input type="checkbox"/> Blue <input type="checkbox"/> Amber <input type="checkbox"/> White <input type="checkbox"/> Colored Lens <input type="checkbox"/>	BLANK	Red <input type="checkbox"/> Blue <input type="checkbox"/> Amber <input type="checkbox"/> White <input type="checkbox"/> Colored Lens <input type="checkbox"/>	Red <input type="checkbox"/> Blue <input type="checkbox"/> Amber <input type="checkbox"/> White <input type="checkbox"/> Colored Lens <input type="checkbox"/>	BLANK	Red <input type="checkbox"/> Blue <input type="checkbox"/> Amber <input type="checkbox"/> White <input type="checkbox"/> Colored Lens <input type="checkbox"/>	Red <input type="checkbox"/> Blue <input type="checkbox"/> Amber <input type="checkbox"/> White <input type="checkbox"/> Colored Lens <input type="checkbox"/>	BLANK	Red <input type="checkbox"/> Blue <input type="checkbox"/> Amber <input type="checkbox"/> White <input type="checkbox"/> Colored Lens <input type="checkbox"/>	Red <input type="checkbox"/> Blue <input type="checkbox"/> Amber <input type="checkbox"/> White <input type="checkbox"/> Colored Lens <input type="checkbox"/>

970L-02	DF5	DF4	DF3	DF2	DF1	PF1	PF2	PF3	PF4	PF5		
Lamp	3 LED <input type="checkbox"/> 6 LED <input type="checkbox"/> Dual Color <input type="checkbox"/> (select 2 colors below) Blank <input type="checkbox"/>	3 LED <input type="checkbox"/> 6 LED <input type="checkbox"/> Dual Color <input type="checkbox"/> (select 2 colors below) Blank <input type="checkbox"/>	BLANK	3 LED <input type="checkbox"/> 6 LED <input type="checkbox"/> Dual Color <input type="checkbox"/> (select 2 colors below) Blank <input type="checkbox"/>	BLANK	Rear Work <input type="checkbox"/> Warning <input type="checkbox"/> Blank <input type="checkbox"/>	Rear Work <input type="checkbox"/> Warning <input type="checkbox"/> Blank <input type="checkbox"/>	Rear Work <input type="checkbox"/> Warning <input type="checkbox"/> Blank <input type="checkbox"/>	BLANK	3 LED <input type="checkbox"/> 6 LED <input type="checkbox"/> Dual Color <input type="checkbox"/> (select 2 colors below) Blank <input type="checkbox"/>	3 LED <input type="checkbox"/> 6 LED <input type="checkbox"/> Dual Color <input type="checkbox"/> (select 2 colors below) Blank <input type="checkbox"/>	3 LED <input type="checkbox"/> 6 LED <input type="checkbox"/> Dual Color <input type="checkbox"/> (select 2 colors below) Blank <input type="checkbox"/>
Color	Red <input type="checkbox"/> Blue <input type="checkbox"/> Amber <input type="checkbox"/> White <input type="checkbox"/> Colored Lens <input type="checkbox"/>	Red <input type="checkbox"/> Blue <input type="checkbox"/> Amber <input type="checkbox"/> White <input type="checkbox"/> Colored Lens <input type="checkbox"/>	BLANK	Red <input type="checkbox"/> Blue <input type="checkbox"/> Amber <input type="checkbox"/> White <input type="checkbox"/> Colored Lens <input type="checkbox"/>	BLANK	Red <input type="checkbox"/> Blue <input type="checkbox"/> Amber <input type="checkbox"/> White <input type="checkbox"/> C-Lens <input type="checkbox"/>	Red <input type="checkbox"/> Blue <input type="checkbox"/> Amber <input type="checkbox"/> White <input type="checkbox"/> C-Lens <input type="checkbox"/>	Red <input type="checkbox"/> Blue <input type="checkbox"/> Amber <input type="checkbox"/> White <input type="checkbox"/> C-Lens <input type="checkbox"/>	BLANK	Red <input type="checkbox"/> Blue <input type="checkbox"/> Amber <input type="checkbox"/> White <input type="checkbox"/> Colored Lens <input type="checkbox"/>	Red <input type="checkbox"/> Blue <input type="checkbox"/> Amber <input type="checkbox"/> White <input type="checkbox"/> Colored Lens <input type="checkbox"/>	Red <input type="checkbox"/> Blue <input type="checkbox"/> Amber <input type="checkbox"/> White <input type="checkbox"/> Colored Lens <input type="checkbox"/>

970L-03	DF5	DF4	DF3	DF2	DF1	CENTER PREEMPTION	PF1	PF2	PF3	PF4	PF5	
Lamp	3 LED <input type="checkbox"/> 6 LED <input type="checkbox"/> Dual Color <input type="checkbox"/> (select 2 colors below) Blank <input type="checkbox"/>	3 LED <input type="checkbox"/> 6 LED <input type="checkbox"/> Dual Color <input type="checkbox"/> (select 2 colors below) Blank <input type="checkbox"/>	3 LED <input type="checkbox"/> 6 LED <input type="checkbox"/> Dual Color <input type="checkbox"/> (select 2 colors below) Blank <input type="checkbox"/>	3 LED <input type="checkbox"/> 6 LED <input type="checkbox"/> Dual Color <input type="checkbox"/> (select 2 colors below) Blank <input type="checkbox"/>	BLANK	3 LED <input type="checkbox"/> 6 LED <input type="checkbox"/> Dual Color <input type="checkbox"/> (select 2 colors below) Blank <input type="checkbox"/>	Preemption <input type="checkbox"/> Blank <input type="checkbox"/>	3 LED <input type="checkbox"/> 6 LED <input type="checkbox"/> Dual Color <input type="checkbox"/> (select 2 colors below) Blank <input type="checkbox"/>	BLANK	3 LED <input type="checkbox"/> 6 LED <input type="checkbox"/> Dual Color <input type="checkbox"/> (select 2 colors below) Blank <input type="checkbox"/>	3 LED <input type="checkbox"/> 6 LED <input type="checkbox"/> Dual Color <input type="checkbox"/> (select 2 colors below) Blank <input type="checkbox"/>	3 LED <input type="checkbox"/> 6 LED <input type="checkbox"/> Dual Color <input type="checkbox"/> (select 2 colors below) Blank <input type="checkbox"/>
Color	Red <input type="checkbox"/> Blue <input type="checkbox"/> Amber <input type="checkbox"/> White <input type="checkbox"/> Colored Lens <input type="checkbox"/>	Red <input type="checkbox"/> Blue <input type="checkbox"/> Amber <input type="checkbox"/> White <input type="checkbox"/> Colored Lens <input type="checkbox"/>	Red <input type="checkbox"/> Blue <input type="checkbox"/> Amber <input type="checkbox"/> White <input type="checkbox"/> Colored Lens <input type="checkbox"/>	Red <input type="checkbox"/> Blue <input type="checkbox"/> Amber <input type="checkbox"/> White <input type="checkbox"/> Colored Lens <input type="checkbox"/>	BLANK	Red <input type="checkbox"/> Blue <input type="checkbox"/> Amber <input type="checkbox"/> White <input type="checkbox"/> Colored Lens <input type="checkbox"/>		Red <input type="checkbox"/> Blue <input type="checkbox"/> Amber <input type="checkbox"/> White <input type="checkbox"/> Colored Lens <input type="checkbox"/>	BLANK	Red <input type="checkbox"/> Blue <input type="checkbox"/> Amber <input type="checkbox"/> White <input type="checkbox"/> Colored Lens <input type="checkbox"/>	Red <input type="checkbox"/> Blue <input type="checkbox"/> Amber <input type="checkbox"/> White <input type="checkbox"/> Colored Lens <input type="checkbox"/>	Red <input type="checkbox"/> Blue <input type="checkbox"/> Amber <input type="checkbox"/> White <input type="checkbox"/> Colored Lens <input type="checkbox"/>

The rear of the 970L-6712 is limited to 10 lamp positions each not including blanks. This means that for bar that is full with no blanks could accommodate 6 full lamps and 4 - 1/2 lamps. Blanks may be 1/2 or full size or any combination of both. Full and 1/2 LED lamps are available in red, blue, amber and white LED and lens colors. All Dual Color lamps come with a clear lens. Stop Turn (STT) lamps are also available for either of the two out side, full lamp positions.

REAR LAMP OPTIONS

<div style="border: 1px solid black; padding: 5px; width: 80px; margin: 0 auto;">Full</div>	<p>Full Lamp Options Lamp = 6 LED, 3 LED, STT or Blank Color = Red, Blue, Amber or White - LED & Lens</p>	<div style="border: 1px solid black; padding: 5px; width: 60px; margin: 0 auto;">1/2</div>	<p>1/2 Lamp Options Lamp = LED-HRW, LED-RW Hal, LED-W or Blank Color = LED-W - Red, Blue, Amber or White - LED & Lens Rear Works - White only</p>
---	--	--	---

REAR CONFIGURATIONS

970L-01		DR5	DR4		DR3	DR2		DR1	PR1		PR2	PR3		PR4	PR5
Lamp		3 LED <input type="checkbox"/> 6 LED <input type="checkbox"/> Dual Color <input type="checkbox"/> <small>(select 2 colors below)</small> STT <input type="checkbox"/> Blank <input type="checkbox"/>	3 LED <input type="checkbox"/> 6 LED <input type="checkbox"/> Dual Color <input type="checkbox"/> <small>(select 2 colors below)</small> STT <input type="checkbox"/> Blank <input type="checkbox"/>	BLANK	3 LED <input type="checkbox"/> 6 LED <input type="checkbox"/> Dual Color <input type="checkbox"/> <small>(select 2 colors below)</small> Blank <input type="checkbox"/>	3 LED <input type="checkbox"/> 6 LED <input type="checkbox"/> Dual Color <input type="checkbox"/> <small>(select 2 colors below)</small> Blank <input type="checkbox"/>	BLANK	3 LED <input type="checkbox"/> 6 LED <input type="checkbox"/> Dual Color <input type="checkbox"/> <small>(select 2 colors below)</small> Blank <input type="checkbox"/>	3 LED <input type="checkbox"/> 6 LED <input type="checkbox"/> Dual Color <input type="checkbox"/> <small>(select 2 colors below)</small> Blank <input type="checkbox"/>	BLANK	3 LED <input type="checkbox"/> 6 LED <input type="checkbox"/> Dual Color <input type="checkbox"/> <small>(select 2 colors below)</small> Blank <input type="checkbox"/>	3 LED <input type="checkbox"/> 6 LED <input type="checkbox"/> Dual Color <input type="checkbox"/> <small>(select 2 colors below)</small> Blank <input type="checkbox"/>	BLANK	3 LED <input type="checkbox"/> 6 LED <input type="checkbox"/> Dual Color <input type="checkbox"/> <small>(select 2 colors below)</small> STT <input type="checkbox"/> Blank <input type="checkbox"/>	3 LED <input type="checkbox"/> 6 LED <input type="checkbox"/> Dual Color <input type="checkbox"/> <small>(select 2 colors below)</small> STT <input type="checkbox"/> Blank <input type="checkbox"/>
Color		Red <input type="checkbox"/> Blue <input type="checkbox"/> Amber <input type="checkbox"/> White <input type="checkbox"/> Colored Lens <input type="checkbox"/>	Red <input type="checkbox"/> Blue <input type="checkbox"/> Amber <input type="checkbox"/> White <input type="checkbox"/> Colored Lens <input type="checkbox"/>		Red <input type="checkbox"/> Blue <input type="checkbox"/> Amber <input type="checkbox"/> White <input type="checkbox"/> Colored Lens <input type="checkbox"/>	Red <input type="checkbox"/> Blue <input type="checkbox"/> Amber <input type="checkbox"/> White <input type="checkbox"/> Colored Lens <input type="checkbox"/>		Red <input type="checkbox"/> Blue <input type="checkbox"/> Amber <input type="checkbox"/> White <input type="checkbox"/> Colored Lens <input type="checkbox"/>	Red <input type="checkbox"/> Blue <input type="checkbox"/> Amber <input type="checkbox"/> White <input type="checkbox"/> Colored Lens <input type="checkbox"/>		Red <input type="checkbox"/> Blue <input type="checkbox"/> Amber <input type="checkbox"/> White <input type="checkbox"/> Colored Lens <input type="checkbox"/>	Red <input type="checkbox"/> Blue <input type="checkbox"/> Amber <input type="checkbox"/> White <input type="checkbox"/> Colored Lens <input type="checkbox"/>		Red <input type="checkbox"/> Blue <input type="checkbox"/> Amber <input type="checkbox"/> White <input type="checkbox"/> Colored Lens <input type="checkbox"/>	Red <input type="checkbox"/> Blue <input type="checkbox"/> Amber <input type="checkbox"/> White <input type="checkbox"/> Colored Lens <input type="checkbox"/>

970L-02		DR5	DR4		DR3	DR2		DR1	PR1		PR2	PR3		PR4	PR5
Lamp		3 LED <input type="checkbox"/> 6 LED <input type="checkbox"/> Dual Color <input type="checkbox"/> <small>(select 2 colors below)</small> STT <input type="checkbox"/> Blank <input type="checkbox"/>	3 LED <input type="checkbox"/> 6 LED <input type="checkbox"/> Dual Color <input type="checkbox"/> <small>(select 2 colors below)</small> STT <input type="checkbox"/> Blank <input type="checkbox"/>	BLANK	3 LED <input type="checkbox"/> 6 LED <input type="checkbox"/> Dual Color <input type="checkbox"/> <small>(select 2 colors below)</small> Blank <input type="checkbox"/>	Rear Work <input type="checkbox"/> Warning <input type="checkbox"/> Blank <input type="checkbox"/>	BLANK	Rear Work <input type="checkbox"/> Warning <input type="checkbox"/> Blank <input type="checkbox"/>	Rear Work <input type="checkbox"/> Warning <input type="checkbox"/> Blank <input type="checkbox"/>	BLANK	Rear Work <input type="checkbox"/> Warning <input type="checkbox"/> Blank <input type="checkbox"/>	3 LED <input type="checkbox"/> 6 LED <input type="checkbox"/> Dual Color <input type="checkbox"/> <small>(select 2 colors below)</small> Blank <input type="checkbox"/>	BLANK	3 LED <input type="checkbox"/> 6 LED <input type="checkbox"/> Dual Color <input type="checkbox"/> <small>(select 2 colors below)</small> STT <input type="checkbox"/> Blank <input type="checkbox"/>	3 LED <input type="checkbox"/> 6 LED <input type="checkbox"/> Dual Color <input type="checkbox"/> <small>(select 2 colors below)</small> STT <input type="checkbox"/> Blank <input type="checkbox"/>
Color		Red <input type="checkbox"/> Blue <input type="checkbox"/> Amber <input type="checkbox"/> White <input type="checkbox"/> Colored Lens <input type="checkbox"/>	Red <input type="checkbox"/> Blue <input type="checkbox"/> Amber <input type="checkbox"/> White <input type="checkbox"/> Colored Lens <input type="checkbox"/>		Red <input type="checkbox"/> Blue <input type="checkbox"/> Amber <input type="checkbox"/> White <input type="checkbox"/> Colored Lens <input type="checkbox"/>	Red <input type="checkbox"/> Blue <input type="checkbox"/> Amber <input type="checkbox"/> White <input type="checkbox"/> C-Lens <input type="checkbox"/>		Red <input type="checkbox"/> Blue <input type="checkbox"/> Amber <input type="checkbox"/> White <input type="checkbox"/> C-Lens <input type="checkbox"/>	Red <input type="checkbox"/> Blue <input type="checkbox"/> Amber <input type="checkbox"/> White <input type="checkbox"/> C-Lens <input type="checkbox"/>		Red <input type="checkbox"/> Blue <input type="checkbox"/> Amber <input type="checkbox"/> White <input type="checkbox"/> C-Lens <input type="checkbox"/>	Red <input type="checkbox"/> Blue <input type="checkbox"/> Amber <input type="checkbox"/> White <input type="checkbox"/> Colored Lens <input type="checkbox"/>		Red <input type="checkbox"/> Blue <input type="checkbox"/> Amber <input type="checkbox"/> White <input type="checkbox"/> Colored Lens <input type="checkbox"/>	Red <input type="checkbox"/> Blue <input type="checkbox"/> Amber <input type="checkbox"/> White <input type="checkbox"/> Colored Lens <input type="checkbox"/>

970L-03		DR5	STT	DR4		DR3	PR2		DR1	PR1		DR2	PR3		PR4	STT	PR5
Lamp		3 LED <input type="checkbox"/> 6 LED <input type="checkbox"/> Dual Color <input type="checkbox"/> <small>(select 2 colors below)</small> STT <input type="checkbox"/> Blank <input type="checkbox"/>	STT <input type="checkbox"/> Blank <input type="checkbox"/>	3 LED <input type="checkbox"/> 6 LED <input type="checkbox"/> Dual Color <input type="checkbox"/> <small>(select 2 colors below)</small> Blank <input type="checkbox"/>	BLANK	Rear Work <input type="checkbox"/> Warning <input type="checkbox"/> Blank <input type="checkbox"/>	Rear Work <input type="checkbox"/> Warning <input type="checkbox"/> Blank <input type="checkbox"/>	BLANK	3 LED <input type="checkbox"/> 6 LED <input type="checkbox"/> Dual Color <input type="checkbox"/> <small>(select 2 colors below)</small> Blank <input type="checkbox"/>	3 LED <input type="checkbox"/> 6 LED <input type="checkbox"/> Dual Color <input type="checkbox"/> <small>(select 2 colors below)</small> Blank <input type="checkbox"/>	BLANK	Rear Work <input type="checkbox"/> Warning <input type="checkbox"/> Blank <input type="checkbox"/>	Rear Work <input type="checkbox"/> Warning <input type="checkbox"/> Blank <input type="checkbox"/>	BLANK	3 LED <input type="checkbox"/> 6 LED <input type="checkbox"/> Dual Color <input type="checkbox"/> <small>(select 2 colors below)</small> Blank <input type="checkbox"/>	STT <input type="checkbox"/> Blank <input type="checkbox"/>	3 LED <input type="checkbox"/> 6 LED <input type="checkbox"/> Dual Color <input type="checkbox"/> <small>(select 2 colors below)</small> STT <input type="checkbox"/> Blank <input type="checkbox"/>
Color		Red <input type="checkbox"/> Blue <input type="checkbox"/> Amber <input type="checkbox"/> White <input type="checkbox"/> Colored Lens <input type="checkbox"/>		Red <input type="checkbox"/> Blue <input type="checkbox"/> Amber <input type="checkbox"/> White <input type="checkbox"/> Colored Lens <input type="checkbox"/>		Red <input type="checkbox"/> Blue <input type="checkbox"/> Amber <input type="checkbox"/> White <input type="checkbox"/> C-Lens <input type="checkbox"/>	Red <input type="checkbox"/> Blue <input type="checkbox"/> Amber <input type="checkbox"/> White <input type="checkbox"/> C-Lens <input type="checkbox"/>		Red <input type="checkbox"/> Blue <input type="checkbox"/> Amber <input type="checkbox"/> White <input type="checkbox"/> Colored Lens <input type="checkbox"/>	Red <input type="checkbox"/> Blue <input type="checkbox"/> Amber <input type="checkbox"/> White <input type="checkbox"/> Colored Lens <input type="checkbox"/>		Red <input type="checkbox"/> Blue <input type="checkbox"/> Amber <input type="checkbox"/> White <input type="checkbox"/> C-Lens <input type="checkbox"/>	Red <input type="checkbox"/> Blue <input type="checkbox"/> Amber <input type="checkbox"/> White <input type="checkbox"/> C-Lens <input type="checkbox"/>		Red <input type="checkbox"/> Blue <input type="checkbox"/> Amber <input type="checkbox"/> White <input type="checkbox"/> Colored Lens <input type="checkbox"/>		Red <input type="checkbox"/> Blue <input type="checkbox"/> Amber <input type="checkbox"/> White <input type="checkbox"/> Colored Lens <input type="checkbox"/>

SIDE LAMP OPTIONS

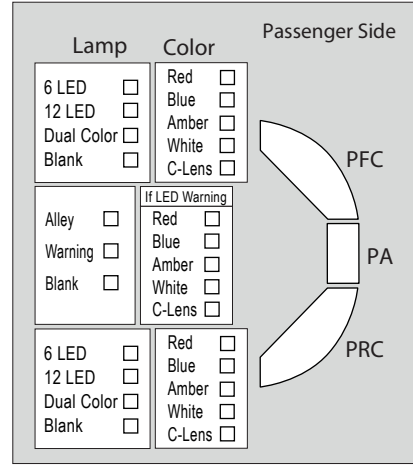
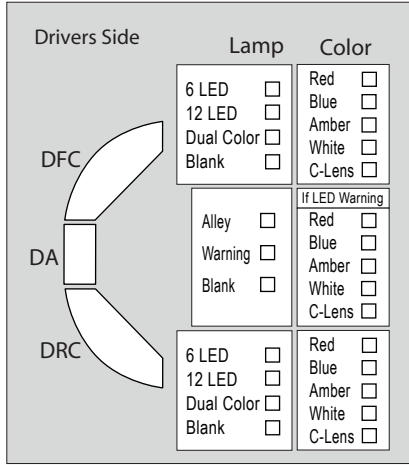


Lamp = 12 LED, 6 LED, Dual Color or Blank
 Color = Red, Blue, Amber or White - LEDs & Lens



Lamp = LED Alley, LED Warning or Blank
 Color = LED Warning - Red, Blue, Amber or White - LEDs & Lens
 LED Alleys - White only

SIDE CONFIGURATIONS



CABLE OPTIONS

- 15' Standard Cable *
- 15' Digital Cable (For use with 940 DCP and Siren only)
- 20' Cable
- 25' Cable
- 30' Cable

* If no option is selected the lightbar will ship with the 15' Standard Cable