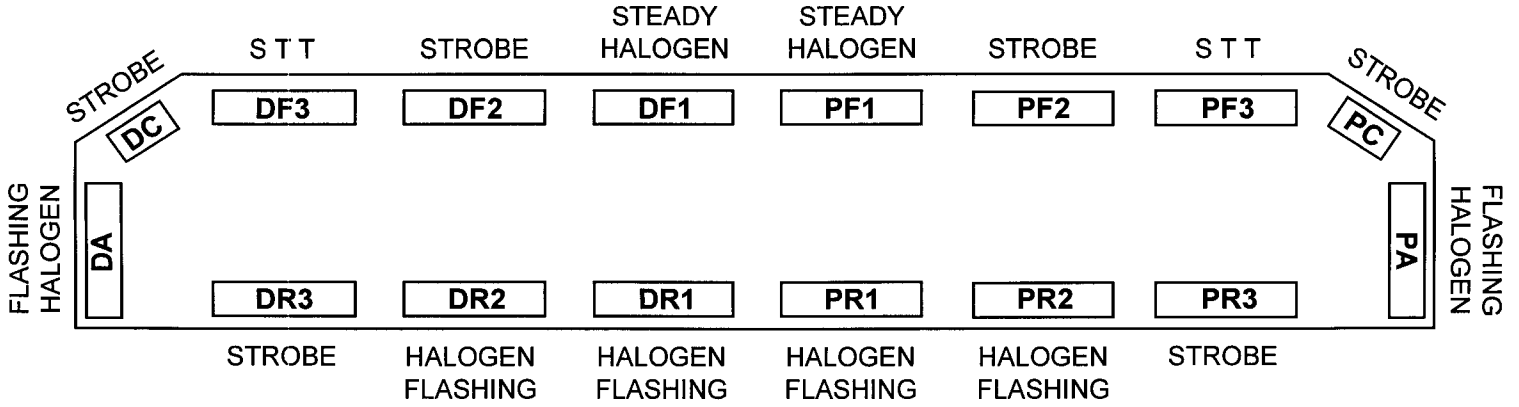


NEOBE LIGHTING
THE LOOK OF NEON
WITH THE POWER OF STROBE

930NH-5606/STT

HELIOBE™ LIGHTBAR
WITH
SYNCHRONIZED
NEOBE AND HALOGEN LAMPS



LIGHTBAR OPTIONS

- 890HP Halogen Upgrade
- DF1 & PF1 - Solid or Split Synchronized Flashing Halogen

* Standard Feature - Stop / Turn / Tail Lights in DF3 & PF3

Revision: 07-24-2002

10 YEAR WARRANTY!

This product is covered by TOMAR's standard warranty except the warranty period is extended to 10 years for the power supply.

2100 WEST OBISPO AVE.
 GILBERT, AZ 85233



PHONE: 800-338-3133
 FAX: 800-688-6627