

TOMAR ELECTRONICS INC.

INSTRUCTION SHEET

930-PMH TOGGLE BOLT KIT

INSTALLER SAFETY MESSAGE

The safe installation of the Tomar 930 HELIOBE Light Bar is your first priority. All instructions listed here should be followed and common sense applied to each Light Bar installation to insure safety. Tomar field service should be called if you have any question.

Some important precautions and instructions:

- Installers should have a good understanding of automotive electrical and mechanical systems. The quality of the installation work should equal or surpass OEM standards.
- Protect the vehicle components when drilling into the sheet metal. Metal chips and sharp edges must not be left on the vehicle. Check to see that the drill bit will not damage surrounding components when it penetrates the sheet metal.
- Review all instruction sheets packed with other components of the 930 HELIOBE Light Bar and make sure you thoroughly understand each step of the installation before you start.
- Roof damage can occur if mounting bolts are over tightened.
- File these instructions in a safe place for future reference.

Perform a final inspection of the installation to insure that the 930 HELIOBE Light Bar is operating properly. It should be securely fastened to the vehicle when pulling on the Light Bar mounting bracket. Failure to follow all safety procedures and instructions may result in serious injury, property damage or death to you or others.

I. GENERAL INFORMATION

This instruction sheet provides procedures to install or retrofit the 930-PMH Toggle Bolt Kit to the Tomar 930 HELIOBE Light Bar and mount the assembly to the vehicle. In order to complete the installation, you must have purchased the 930 HELIOBE Light Bar with the your specific lamp configuration . You must also have the mounting

brackets and related hardware supplied with the 930-UNHK mounting kit.

II. UNPACKING

Check to see that the components shown in figures 1-3 are available.

III. ASSEMBLY

- A. Turn the light bar assembly upside down while protecting the top surface from scratches.
- B. Complete this step if you are retrofitting an original hook mount installation. Otherwise skip to step C. Remove both mounting hooks and 5/16 stainless mounting bolts. They will not be used. Remove the four rubber mounting bumpers from the two molded mounting brackets. Skip to step D.
- C. Complete this step for a new toggle bolt installation. Slide 2 of the carriage bolts to each end of the slot in the bottom of the light bar, approx. 8 inches from each end of the aluminum extrusion.
- D. Cut the molded head off from the 4 rubber bumpers. Install 2 rubber bumpers into the rectangular holes in the bottom of the molded bracket. Drill a 7/32 dia. hole through each rubber bumper using the hole in the molded bracket for positioning. Repeat for the second molded bracket. See Figure 1.

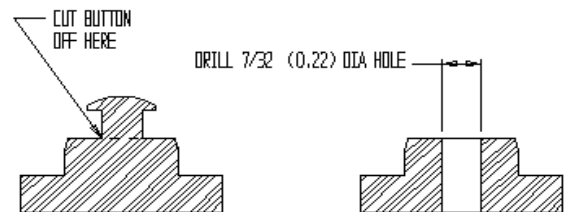


Figure 1

- E. Install the hook mounting bracket in the top recess of the molded bracket. Insure that the two square holes in the mounting bracket align with the circular holes in the molded bracket. Place the assembly over the two carriage bolts on the left end of the light bar and secure with a flat washer, lock washer and nut. Leave the nuts loose.

Repeat with the molded bracket on the right end of the light bar.

- F. Center the light bar on the vehicle roof, approximately over the driver's head. Adjust both molded bracket assemblies so that the rubber bumpers rest near the edge of the roof or gutter where the roof is most rigid. Check to see that the light bar is still centered and the molded brackets are equally spaced on each side of the vehicle. Tighten the 3/8 hex nuts, two on each bracket.

- G. Using the molded brackets as a template, scribe two drill position marks for each bracket and move the light bar out of the way.

- H. Drill four 9/16 inch dia. holes at the previously scribed position marks. **CAUTION** ensure that holes are only drilled through sheet metal, **NOT** through upholstery or wiring.

- I. Insert a toggle bolt in each of the four holes and slide a rubber bumper over each toggle bolt to hold it in place.

- J. For new installations, remove the light bar from the roof and lay upside down on a table. Cut three pieces of the filler extrusion to the correct length and install in the carriage bolt mounting slot on the bottom of the main aluminum extrusion.
NOTE: This is very important in order to reduce the wind noise at high speeds.

- K. Reposition the light bar on the roof of the vehicle over each of the previously installed toggle bolts with a washer and jam nut. Saw off the toggle bolts 3/16 above the jamb nuts and install the Acorn nuts.

- L. Inspect the entire assembly to insure that all fasteners and brackets are tight.

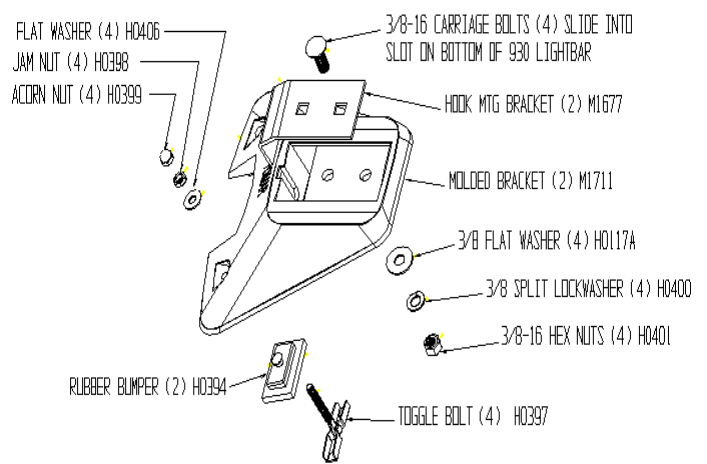


Figure 2

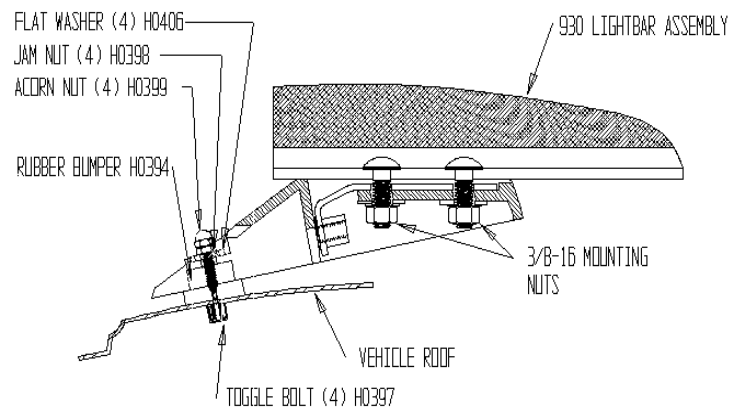


Figure 3