

TOMAR ELECTRONICS INC.

MODEL 1002WEP -

VOLTAGE
-120
-240
-24

EXPLOSION PROOF MULTISOUND SIREN INSTALLATION INSTRUCTIONS

FEATURES

- * EXPLOSION PROOF AND WEATHER PROOF FOR INDOOR AND OUTDOOR USE
- * LISTED BY UNDERWRITERS' LABORATORIES
- * BUILT IN SOLID STATE ELECTRONICS WITH 10 SOUNDS AND REMOTE CONTROL
- * REFLEX PROJECTOR FOR MAXIMUM EFFICIENCY
- * WIDE ANGLE SOUND DISPERSION PATTERN
- * ALUMINUM AND FIBERGLASS HOUSING
- * POLARITY PROTECTED (DC UNITS)

SPECIFICATIONS

POWER REQUIREMENTS: 24 WATTS MAX
 SOUND LEVEL OUTPUT: 110 DB ON AXIS AT 10 FEET
 DISPERSION: 120° X 60°
 DIMENSIONS: 14" WIDE X 6" HIGH X 17.5" LONG
 CONDUIT CONNECTION: 1/2" RIGID PIPE CONDUIT
 WEIGHT: 23 LBS
 DUTY CYCLE: CONTINUOUS

INSTALLATION INSTRUCTIONS

SET INTERNAL SELECTOR SWITCH SW1 TO SELECT TYPE OF SOUND DESIRED
 FACTORY SETTING IS S3.
 MOUNT IN ANY ORIENTATION, EXCEPT HORN SKYWARD.

POSITION -- SOUNDS SELECTABLE BY SWITCH ON SOUND MODULE

- S1 CONTINUOUSLY RUNNING TRAIN OF 8 SOUNDS IN SEQUENCE
- S2 WAIL - CONVENTIONAL SIREN
- S3 YELP - RAPID SIREN
- S4 TWO-TONE
- S5 WHOOP - ASCENDING LOW-HIGH
- S6 YEOW - DESCENDING HIGH-LOW
- S7 HORN - STEADY
- S8 BEEP - SLOW INTERMITTENT HORN
- S9 STUDDER - RAPID INTERMITTENT HORN
- S0 REMOTE - ENABLES REMOTE SELECTION OF

	PRIORITY
S1 MANUAL SIREN -----	P4
S3 YELP -----	P3
S4 TWO-TONE -----	P2
S7 HORN -----	P1

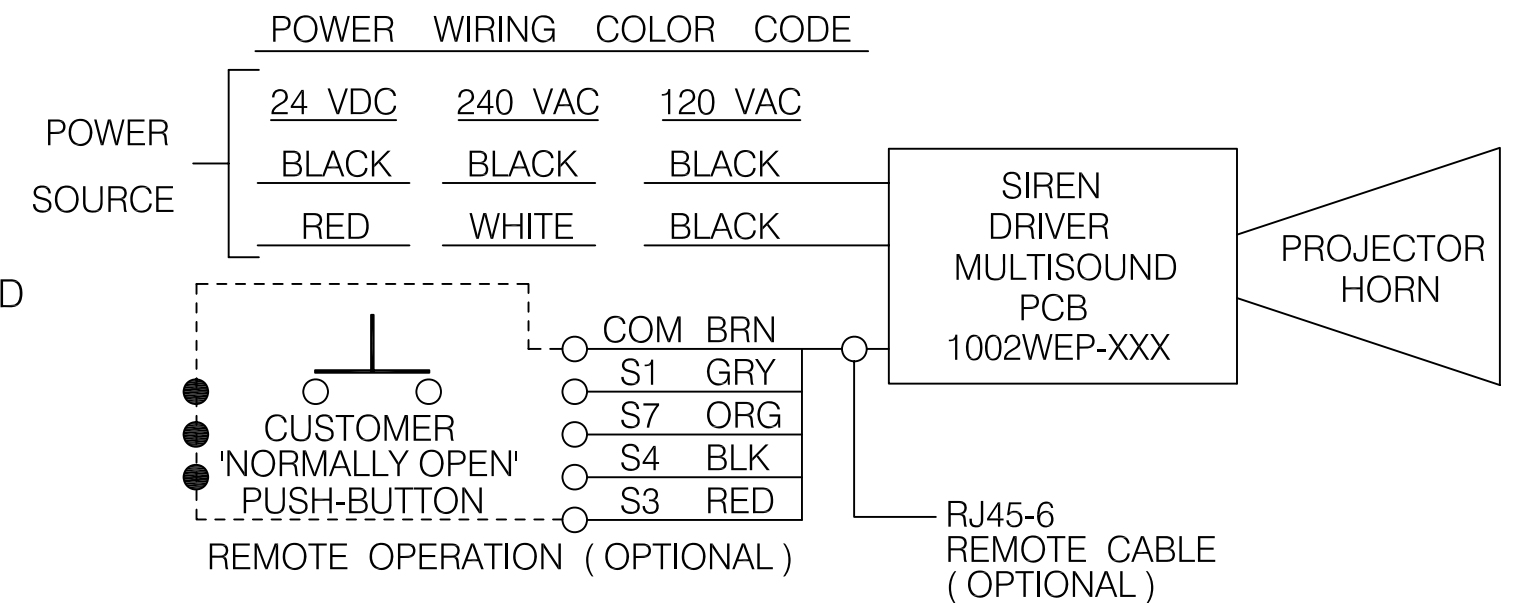
LISTINGS

- * CLASS I, GROUPS C and D;
 GAS ATMOSPHERES (INCLUDES ETHYL, ETHER, GASOLINE,
 NAPHTHA, ALCOHOLS, BUTANE, PROPANE)
- * NEMA TYPE 4
- * MARINE OUTSIDE (SALT WATER) USE

TEMPERATURE RATING

UL RATING -25°C to +40°C
 ELECTRONIC PCB RATING -55°C to +85°C

FIELD WIRING DIAGRAMS



REFERENCE DRAWINGS

- 11397 1002WEP EP SIREN ASSEMBLY DWG
- 11947 1002WEP PIC SIREN SCHEMATIC

UNLESS OTHERWISE SPECIFIED DIMENSIONS ARE IN INCHES. TOLERANCES: DECIMALS .XX + ___ - ___ .XXX + ___ - ___ ANGLES ± ___ SCALE _____ DO NOT SCALE DRAWING DRAWN KAW 01-22-2002 APPROVED _____ © COPYRIGHT 2002 TOMAR ELECTRONICS INC.	REV 01	DATE 12 / 94	DESCRIPTION CHANGE TO 1002WEP	TOMAR ELECTRONICS INC. 2100 WEST OBISPO GILBERT, ARIZONA 85233 MODEL 1002WEP-XXX EXPLOSION PROOF SIREN INSTALLATION INSTRUCTIONS TOMAR PART NO: IS0055 FP _____ PC _____ TE _____		DRAWING NO. 10378 REV 05 SHT OF _____
	REV 02	DATE 10 / 97	DESCRIPTION CHANGE TO MULTISOUND			
	REV 03	DATE 12 / 97	DESCRIPTION CHANGE IN PRIORITY			
	REV 04	DATE 01/23/2002	DESCRIPTION AUTOCAD & UPDATE			
	REV 05	DATE 05 / 06	DESCRIPTION MOUNTING INSTR.			